



Low Profile Cable Seals Black Anodized Aluminium

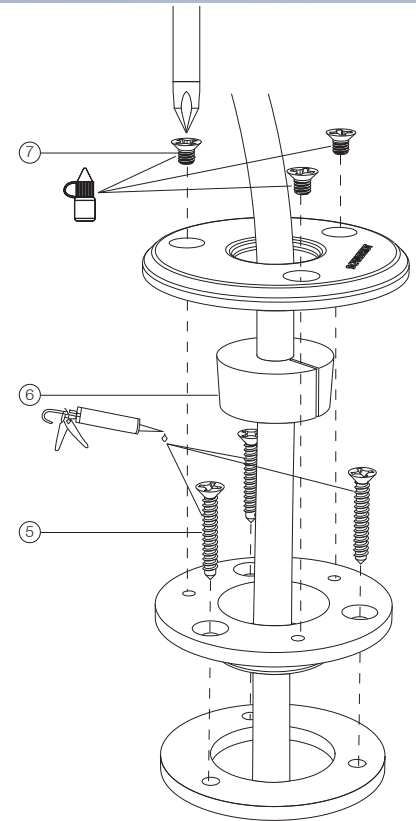
Introducing

Our Flagship Range.

Our low-profile design reduces the overall seal height by up to 71% when compared to our standard range by concealing our seal technology below the mounting surface. This results in a cleaner, more refined appearance.

Achieve a premium finish, with our pioneering features:

- IP68 Waterproof.
- Designed for multiple cables up to 15mm (0.59"). (DS-LP-MULTI-BLK only)
- Supplied with pre-drilled, black and split bungs (excluding DS-LP-MULTI-BLK)
- Install cables without cutting off the connector (excluding DS-LP-MULTI-BLK)
- UV Resistant.
- Hides the cable seal technology below the installation surface
- Constructed from marine-grade aluminium.
- No messy sealant, ensuring a tidy finish.
- Simplified installation that saves you time and effort.
- Guaranteed 100% watertight seal.
- Perfect for solar panels, light bars, rooftop electronics, and more.
- Easy pocket install with hole saw.



DS-LP-16-BLK

Cables from 2-8mm (0.08"-0.35")
For connectors up to Ø16mm (0.63")



DS-LP-21A-BLK
DS-LP-21B-BLK

Cables from 4-9mm (0.15"-0.35")
For connectors up to Ø21mm (0.82")



DS-LP-30-BLK

Cables from 9-14mm (0.35"-0.55")
For connectors up to Ø30mm (1.18")



DS-LP-MULTI-BLK

For multiple cables up to Ø15mm (0.59")