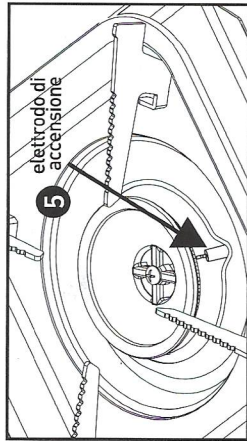


- 6.3 Controllare le guarnizioni prima di collegare una nuova cartuccia gas all'apparecchio (fig. 1).
- 6.4 Sostituire la cartuccia gas all'esterno e lontano da persone.
- 6.5 ATTENZIONE: se la cartuccia viene sostituita mentre l'apparecchio è in uso, non toccare la superficie calda dell'apparecchio (bruciatore, griglie, piastra).
- 6.6 Non gettare mai una cartuccia che non è completamente vuota (controllare che non ci sia liquido nella cartuccia agitando).

## 7. MANUTENZIONE DI STOCCAGGIO E DI SMISTAMENTO

- Una volta che l'attrezzatura si è completamente raffreddata:
- 7.1 Pulire l'attrezzatura dopo aver rimosso la cartuccia.
- 7.2 Pulire la superficie della vasca raccogliogocce (3) con un panno inumidito con acqua calda, quindi asciugare con un panno.
- 7.3 Un bruciatore sporco ostruirà i fori della fiamma. Pulire i fori della fiamma della testa del bruciatore con una spazzola metallica.
- 7.4 Se l'elettrodo di accensione (5) è bagnato, l'accensione non verrà effettuata, assicurarsi che sia stata rimossa l'acqua e asciugare con un panno.
- 7.5 Ripiegare le gambe di supporto (7) (fig.2) premendo il pulsante "Rosso" e riporre l'apparecchio nella custodia in plastica.
- 7.6 Conservare l'apparecchio e la cartuccia in un luogo fresco, asciutto e ben ventilato, fuori dalla portata dei bambini. Non conservare mai in cantina o in cantina.



## 8. MANUTENZIONE GENERALE E RIPARAZIONI

- 8.1 Non modificare l'apparecchio.
- 8.2 RICERCA GUASTI

Problemi	Cause			
	Cartuccia di gas vuota	La fiamma si spegne	Malfunzionamento della manopola di accensione	Inlettore intasato
Nessun flusso di gas in posizione MAX	X			
Odore di gas in posizione MAX	X			
Fiamma bassa				X
Fiamma irregolare			X	X
Nessuna accensione/accensione difettosa		X	X	X
Estinzione in funzione	X			
Risoluzione dei problemi				
	Sostituire la cartuccia di gas	Ruotare la manopola di accensione (1) in senso orario fino alla posizione (fig. 3).	Contattare il rivenditore locale per la riparazione.	Contattare il rivenditore locale per la riparazione.
			Collegare correttamente la cartuccia alla valvola.	Utilizzare una spazzola metallica per pulirla.

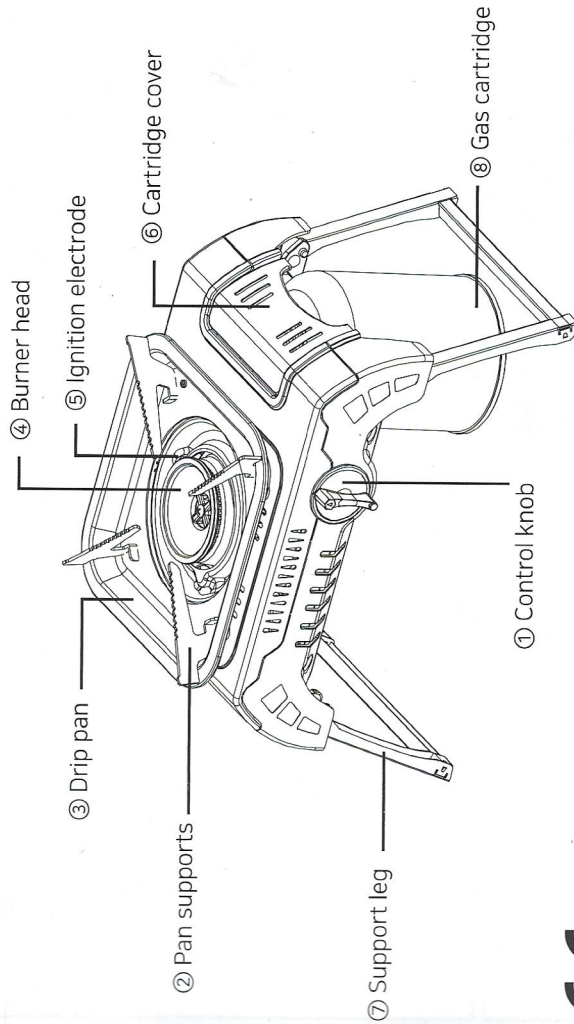
8.3 In caso di problemi, contattare sempre il rivenditore.

# BRUNNER®

EN

# INSTRUCTION MANUAL

## DRONE CAMPING BURNER DEVIL 0708014N



CE 1936/20

**IMPORTANT : Read these instructions for use carefully so as to familiarize yourself with the appliance before connecting it to its gas cartridge. Keep these instructions for future reference.**

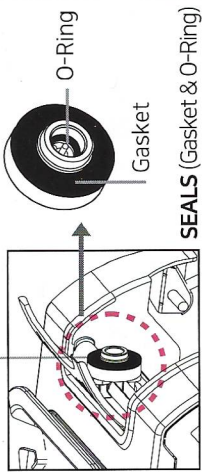
**DANGER**



### CARBON MONOXIDE HAZARD

This appliance can produce carbon monoxide which has no odor. Using it in an enclosed space can kill you. Never use this appliance in an enclosed space such as a camper tent, car or home.

FIG. 1



SEALS (Gasket & O-Ring)

FIG. 2

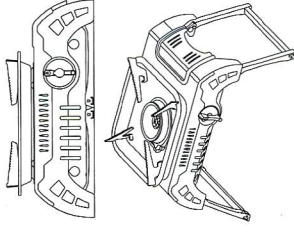


FIG. 3

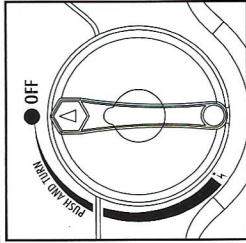


FIG. 5

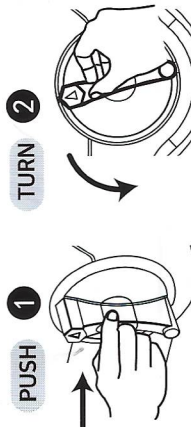


FIG. 6

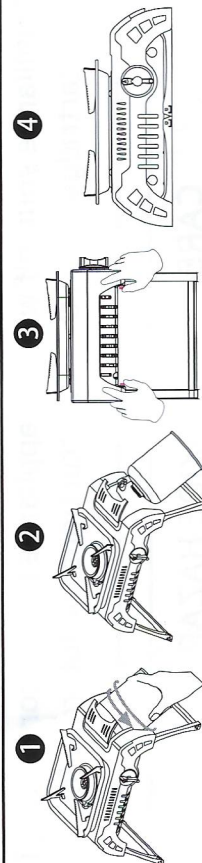
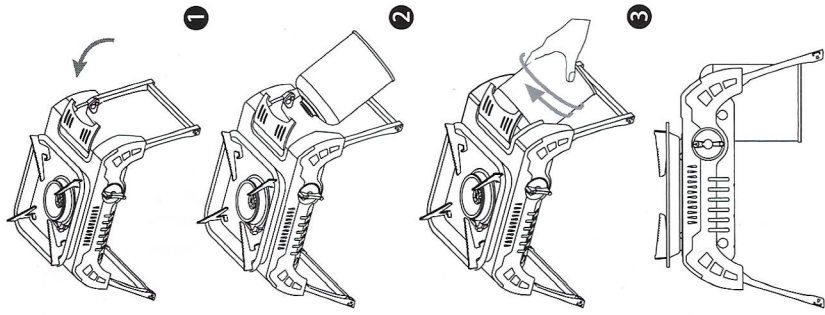


FIG. 4



### 1. INTRODUCTION

- 1.1 Type of gas: butane& butane-propane mixture
- 1.2 Appliance category: vapour pressure butane-propane mixture
- 1.3 This appliance shall only be used with the 0708036N Powergaz 450 butane propane mixture cartridge.
- 1.4 Nominal rate: 175g/h(2,4kW)
- 1.5 Orifice diameter: 0.6mm
- 1.6 Outlet pressure of the valve: 8,63kPa

### 2. SAFETY INFORMATION

- 2.1 Check that seals between the appliance and the gas cartridge are in place and in good condition before connecting to the gas cartridge. (fig. 1)
- 2.2 Do not use the appliance if it has damaged or worn seals; Do not use an appliance which is leaking, damaged or which does not operate properly.
- 2.3 For outdoor use only and use in a well ventilated location. Never use inside house, camper, tent, vehicle or other unventilated or enclosed area. This stove consumes air (oxygen). Do not use in unventilated or enclosed areas to avoid endangering your life.
- 2.4 The appliance shall be operated on a horizontal surface.
- 2.5 The appliance shall be used far away from flammable materials. Minimum distances from adjacent surfaces: 50cm from the wall 125cm from the ceiling.
- 2.6 Gas cartridge shall be changed in a well ventilated location, preferably outside, away from any sources of ignition, such as naked flames, pilots, electric fires and away from other people.
- 2.7 Do not use appliance when ambient temperature is higher than 35°C.

### 2.8 Disconnect the gas cartridge after every use.

- 2.9 Do not use vessels with concave or convex bottoms.
- 2.10 Use in a combustion air supplied enough area.
- 2.11 Use only outdoor to avoid the dangerous building up of un-burnt gases for appliance which is not fitted with a flame supervision device.
- 2.12 Do not use an appliance which is leaking, damaged or which does not operate properly. Never use two stoves close to each other. Do not use a container smaller than 12cm or larger than 26cm in diameter.

### 3. PREPARATION FOR OPERATION

- 3.1 Unfold the support legs (7) to their outermost extent. Place the stove with its support legs downwards on a flat surface. (fig. 2)
- 3.2 Check that the gas supply is fully turned off by turning the control knob (1) clockwise (OFF position "●"). (fig. 3)
- 3.3 Lift the cartridge cover (6) then attach the gas cartridge into the gas connector assy (9) fitting by turning cartridge clockwise until meets the O-ring of the gas connector assy. (fig. 4) Be careful not to fit the cartridge cross threaded. Screw hand tight only. Over-tightening may damage the seals of cartridge valve.

- 3.4 Listen and smell the stove for leaking gas. If there is a leak on your appliance (smell of gas), take it outside immediately into a well ventilated flame free location where the leaks may be detected and stopped, if you wish to check for leaks on your appliance, do it outside. Do not try to detect leaks using a flame, use soapy water.
- 3.5 Keep the cartridge(8) upright when fitting to the gas connector of the valve.

### ⚠ DANGER



**EXPLOSION HAZARD** : Do not use the appliance in the folded position, otherwise it has big risk of gas cartridge explosion caused by overheating.

### 4. USE

- 4.1 CAUTION: accessible parts may become very hot. Keep young children away from the appliance.
- 4.2 Never touch the pan support (3) or the burner head (4) during or just after using the equipment.
- 4.3 Do not obstruct the ventilation hole in the cartridge cover.
- 4.4 Position the equipment on a stable, horizontal surface and do not move when in use.
- 4.5 Wait until the appliance has completely cooled down before handling and putting it away.

### LIGHTING THE BURNER

The equipment is fitted with a piezo-electric lighter connected to an ignition electrode (5).

- Push and turn the control knob (1) anti-clockwise until you hear a click indicating a spark (fig. 6).
- If the equipment does not light, turn the control knob (1) to position "●" and start the operation again.
- If the equipment still does not light after three attempts push and turn the control knob (1) to position "●" (fig. 1) and check that the cartridge contains gas (sound of liquid sloshing when shaken) before starting the previous steps again. (if the cartridge is empty, refer to paragraph 5- Removing the cartridge).

### COOKING

Position the pan on the pan supports over the burner and adjust the gas flow so that the flames do not burn higher than the pan. The size of the flame can be regulated by turning the control knob(1) between the full and low flow position.

### EXTINGUISHING

Turn the control knob (1) clockwise to the "●" OFF position. Always unscrew the cartridge from the appliance when not in use.

Note: Unless otherwise specified, following generic terms "appliance / unit / product / equipment / device" appeared in this instruction manual all refer to the product "DEVIL 450."

## 5. REMOVING THE GAS CARTRIDGE

### REMINDER

Always connect or remove cartridge in a well-ventilated area, where there are no flames, heat sources or sparks (cigarettes, electrical appliances, cookers, etc.) and well away from other people and inflammable material. Whenever possible change the cartridge outside.

### Once your equipment has fully cooled:

- 5.1 Check that the gas inlet is fully closed by turning the control (1) clockwise to the ● "position (fig. 3) and the burner (4) is extinguished.
- 5.2 Lift and rotate the gas cartridge as shown in (fig. 6). Disconnect the cartridge by turning counter clockwise.

## 6. CHANGING THE GAS CARTRIDGE

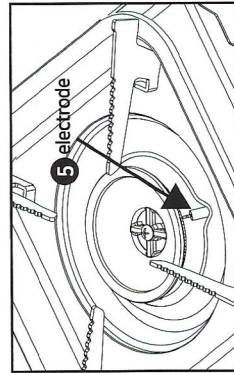
The cartridge may be removed even if it is not empty.

- 6.1 Check that burner is extinguished before disconnecting the gas cartridge.
- 6.2 Connect a new gas cartridge to the appliance safely by following the instruction in paragraph "3. PREPARATION FOR OPERATION".
- 6.3 Check the seals before connecting a new gas cartridge to appliance (fig. 1).
- 6.4 Change the gas cartridge outside and away from people.
- 6.5 **CAUTION:** if the cartridge is replaced while the appliance is in use, do not touch the hot surface of the appliance (burner, pan supports, plate).
- 6.6 Never throw away a cartridge which is not completely empty, (check there is no liquid in the cartridge by shaking it).

## 7. STORAGE AND ROUTINE MAINTENANCE

Once your equipment has fully cooled:

- 7.1 Clean the equipment after removing the cartridge.
- 7.2 Wipe off the surface of the drip pan (3) with cloth dampened with warm water, then dry with a cloth.
- 7.3 A dirty burner will clog the holes of the flame. Clean the flame holes of burner head with a metal brush.
- 7.4 If the ignition electrode (5) is wet, ignition will not be made; make sure any water is removed, and dry with a cloth.
- 7.5 Fold the support legs (7) in (fig. 2) and put the appliance in the plastic case.
- 7.6 Store the appliance and the cartridge in a cool, dry and well-ventilated area, out of reach of children.  
Never store in a basement or cellar.



## 8. GENERAL MAINTENANCE AND REPAIRS

8.1 Do not modify the appliance.

### 8.2 TROUBLE SHOOTING

Trouble shooting	Change the gas cartridge	Turn the ignition knob (1) clockwise to the ● "position (fig. 3)	Contact local dealer to repair.	Contact local dealer to repair.	Injector clogged	Cartridge incorrectly installed	Clogged burner holes
Extinction in operation	x	x					
No ignition/ Faulty ignition	x	x	x				x
Uneven flame						x	x
Low flame				x			x
Smell of gas in the MAX position				x			
No gas flow in the MAX position	x			x	x		
Troubles							

8.3 If the event of any problem, please contact us.

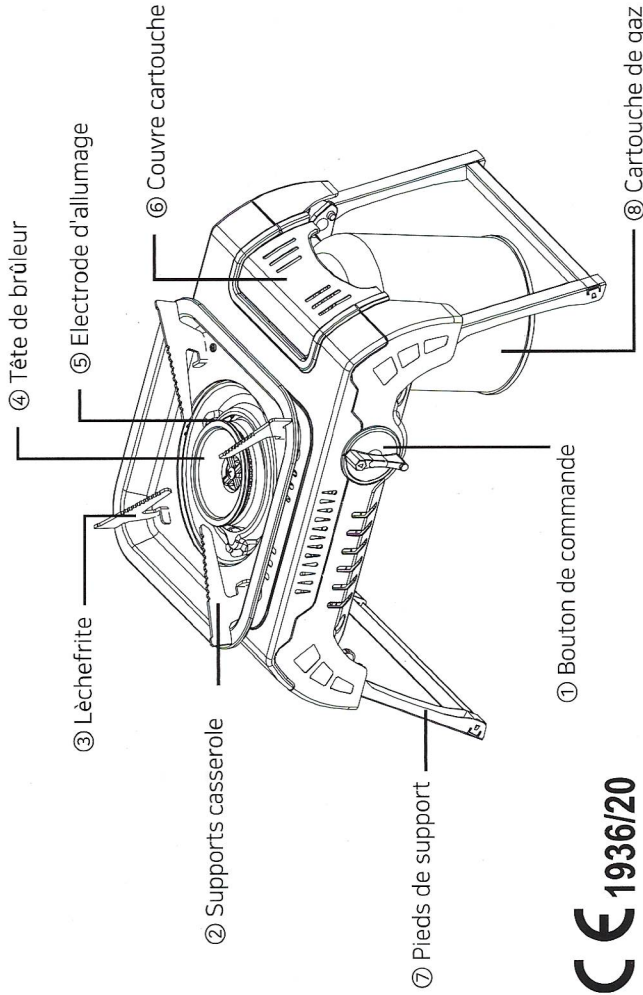
# BRUNNER®

FR

# MANUEL D'UTILISATION

## RECHAUD DE CAMPING DRONE

### DEVIL 0708014N



**CE** 1936/20

**IMPORTANT :** Lire ces instructions attentivement avant utilisation pour vous familiariser avec l'appareil avant de connecter la cartouche de gaz. Conserver ce manuel d'utilisation pour référence future.

**DANGER**



**MONOXYDE DE CARBONE** Cet appareil peut produire du monoxyde de carbone, qui est inodore. L'utilisation de l'appareil dans un espace clos peut vous tuer. Ne jamais utiliser l'appareil dans un espace clos, comme une tente de camping, ou une maison.