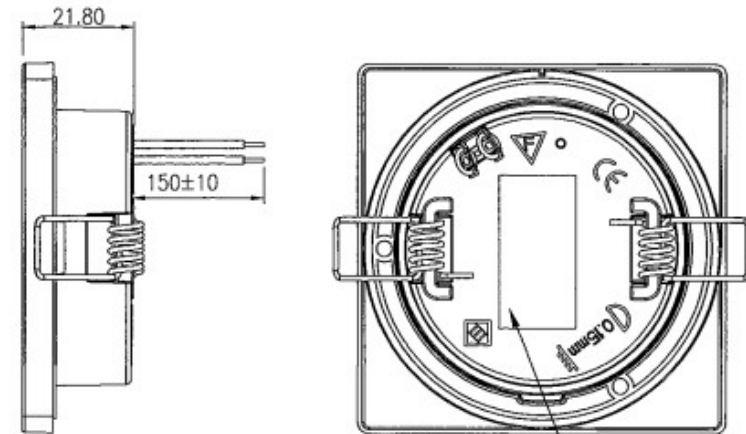
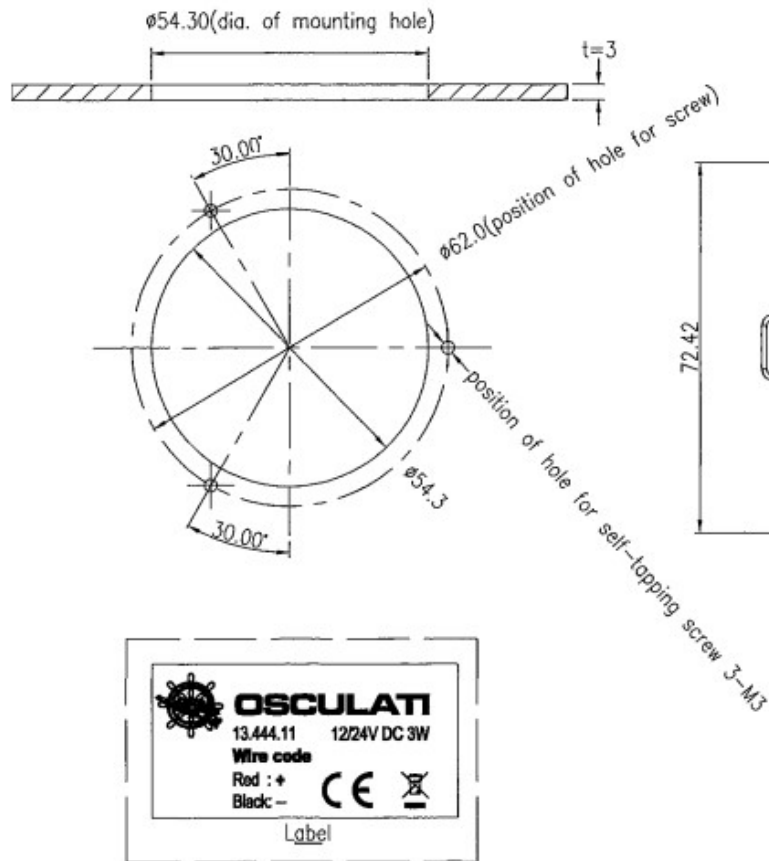


|                       |   |
|-----------------------|---|
| Rating                | 12/24V DC Max 3W<br>12V: ON 0.17A±20% , 24V: ON 0.09A±20% |
| Insulation Resistance | DC 500V 100MΩ 1 Minute                                    |
| Dielectric Strength   | AC 1500V 1 minute   |
| Operating Temperature | -20°~+60°C  |
| LED Type              | SMD 2835_0.5W-LED WARM WHITE* 14 PCS                      |
| LED Color Temperature | 3000K ± 20%   |
| Luminance Average     | 180Lux ± 20% at 50cm                                      |
| Luminous Flux         | 194 lm ± 20%  |
| Protection Degree     | IP56  |
| Beam Pattern          | 120°  |
| Product CCT           | 3000K ± 20%   |



Material:  
 Lens:PC,WHITE  
 Top Cover: SUS316  
 BASE: PC,WHITE