

EXTERIOR

spare part list

SERVICE DOORS

D2	2
D3	4
D4	6
D5	8
D6	10
D7	12
Locks & Buttons	14

FLUSH DOORS

FD3	16
FD5	18
Locks & Buttons	20

BOXES

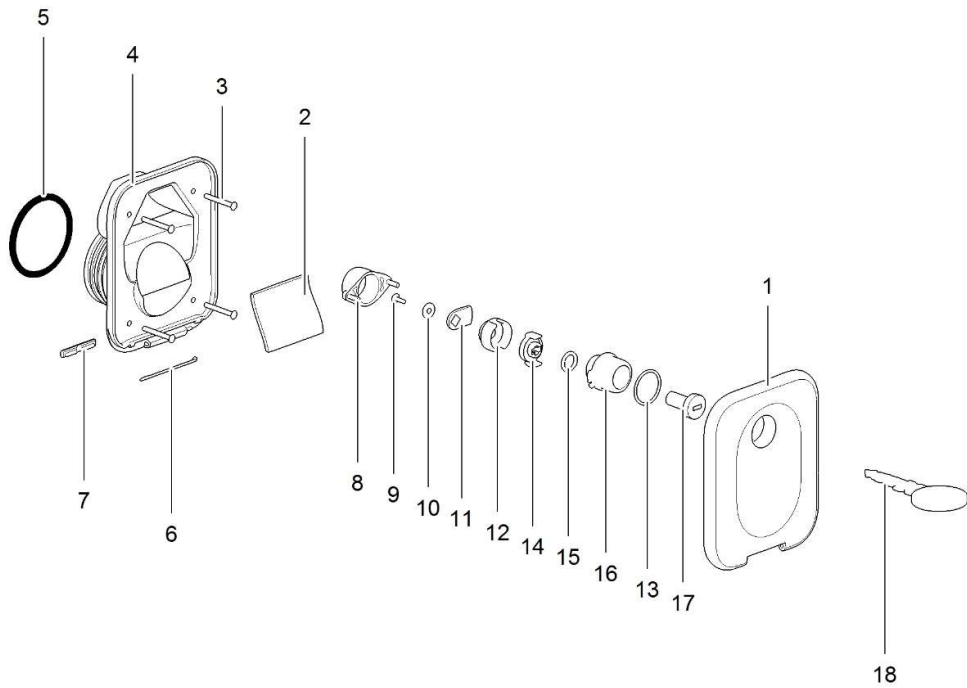
Battery Box	22
Wetlocker Box	24

WATERFILL DOOR

WFD	26
-----	----

VENTS

186 x 483	28
257 x 432	30
281 x 23	32



LE1050_WaterFillDoor_1115-V03

		Spare part number	Spare part number	Spare part number	Colours available
1	Door				
2	Seal				
3	Screws				
4	Frame				
5	O-ring				
6	Hinge pin	26602			
7	Hinge pin guide				
8	Bracket			2379	22, 25, 57, 76, 80, 84
9	Screw				
10	Washer				
11	Latch				
12	Pawl extension				
13	O-ring				
14	Pawl				
15	O-ring				
16	Lock housing				
	<i>FAWO 1 (F/W)</i>	26606			57,58,80,84
	<i>FAWO 2 (F2)</i>		26608		27,57,58,80,84
	<i>ZADI (ZA)</i>			26607	27,57,58,80,84
	<i>West Alloy Snake lock (WS)</i>			26621	58, 80
17	Lock ZADI				
18	Key		26604		